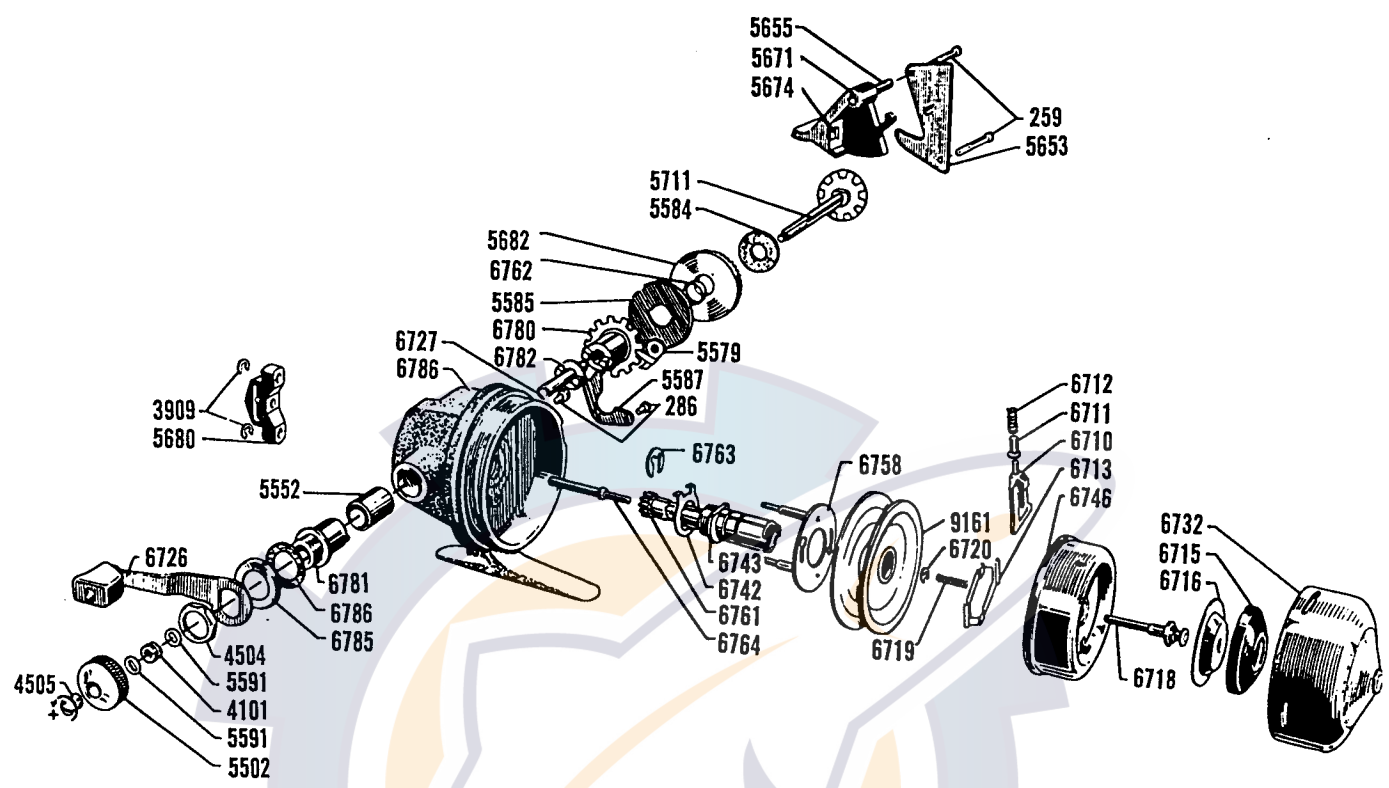




ABU-MATIC 155



Prices subject to change without notice

No.	Part Name	Price	No.	Part Name	Price	No.	Part Name	Price
259	Side Plate Screw	(each) .15	5674	Release Trigger Plate	.10	6742	Pinion Bushing Lock	.10
286	Lock Arm Screw	(each) .10	5680	Oscillation Guide	.25	6743	Pinion Gear Bushing	1.60
3909	"C" Lock	(each) .10	5682	Drive Gear with Click Spring	2.50	6746	Winding Cup	5.50
4101	Brake Spring	.25	5711	Drive Shaft with Click Plate	1.60	6758	Spool Mount	1.50
4504	Handle Bearing Lock Nut	.25	6710	Line Pick Up Ejector	.20	6761	Pinion Gear	1.25
4505	Handle Lock Nut (left hand thread)	.25	6711	Line Pick Up	.60	6762	Drive Gear Center Ring	.25
5502	Drag Adjusting Knob	.75	6712	Line Pick Up Spring	.10	6763	Pinion "C" Lock	.10
5552	Oilite Bushing	.50	6713	Ejector Clamp	.15	6764	Throw Out Pin	.25
5579	Anti Reverse Dog	.75	6715	Rubber Cushion	.60	6780	Anti Reverse Ratchet	1.00
5584	Base Drag Washer	.10	6716	Cushion Plate	.60	6781	Handle Bearing	1.00
5585	Drag Pressure Plate	1.00	6718	Winding Cup Shaft	.65	6782	Synchro Slide	.15
5587	Ratchet Lock Arm	.25	6719	Winding Cup Shaft Spring	.10	6785	Dust Shield	.25
5591	Brake Spring Washer	(each) .10	6720	"C" Lock	.10	6786	Felt Oil Retainer	.10
5653	Side Plate	.75	6726	Handle	1.75	6876	Housing	4.75
5655	Release Trigger Bushing	.10	6727	Drive Shaft Bushing	.25	9161	Spool (with container)	3.00
5671	Line Release Trigger	1.00	6732	Bell Cover	3.50	9228	Spool Container	.50

Please specify both reel model and part numbers when ordering.

PARTS AND SERVICE AVAILABLE AT THE FOLLOWING REGIONAL FACTORY REPAIR DEPOTS:

FACTORY SERVICE
RODS, REELS AND PARTS

THE GARCIA SERVICE DEPARTMENT
329 ALFRED AVENUE
TEANECK, NEW JERSEY 07666

THE CONOLON CORPORATION
1111 EAST McFADDEN STREET
SANTA ANA, CALIFORNIA 92705

SILICOTE SALES DIVISION
520 WEST 14th AVENUE
OSHKOSH, WISCONSIN 54902

J. K. CLARK COMPANY
ACO SPORTSMEN SERVICE
13501 VAN DYKE
DETROIT, MICHIGAN 48234

REEL SERVICE AND PARTS

NATE BUELL SERVICE CORPORATION
5013 N.E. 42nd STREET
PORTLAND, OREGON 97218

HARRY C. MILLER CO., INC.
257 PARK AVENUE SOUTH
NEW YORK, NEW YORK 10010

SHERMAN LOYD SALES COMPANY
4737 GREENVILLE AVENUE
DALLAS, TEXAS 75206